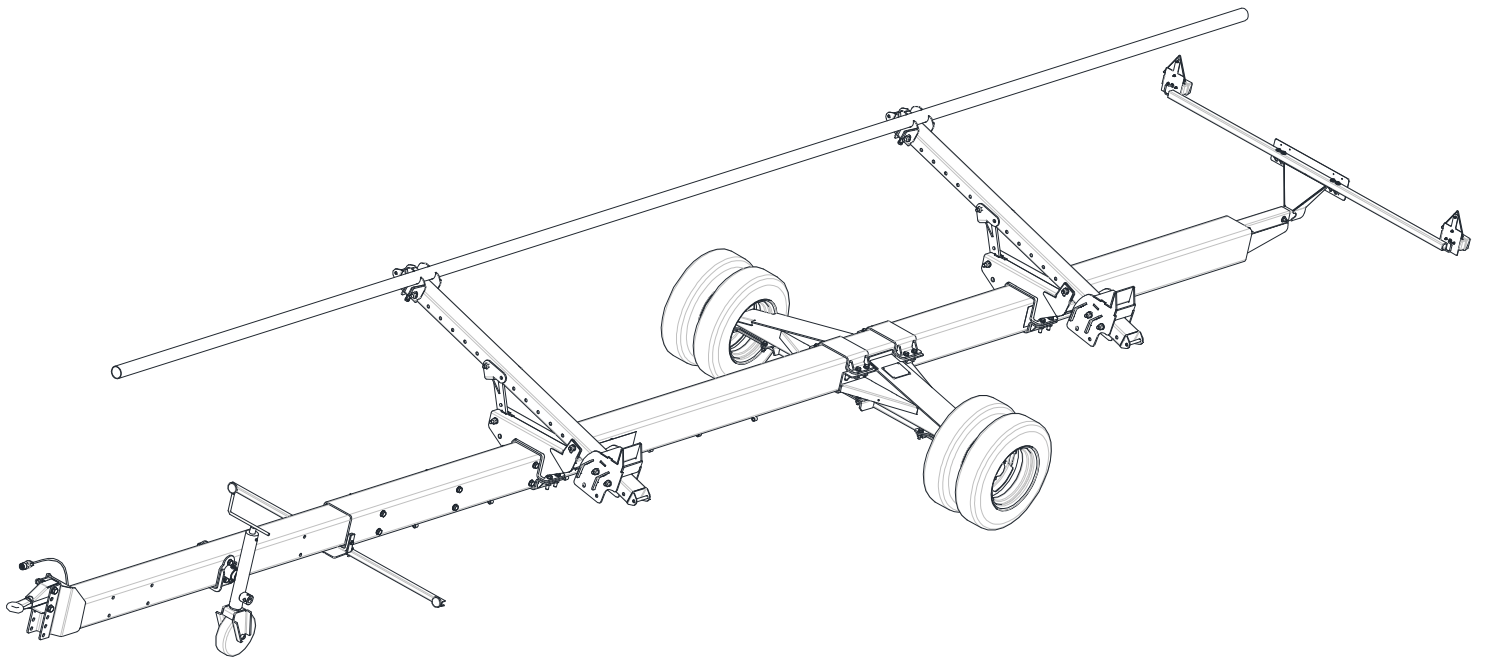
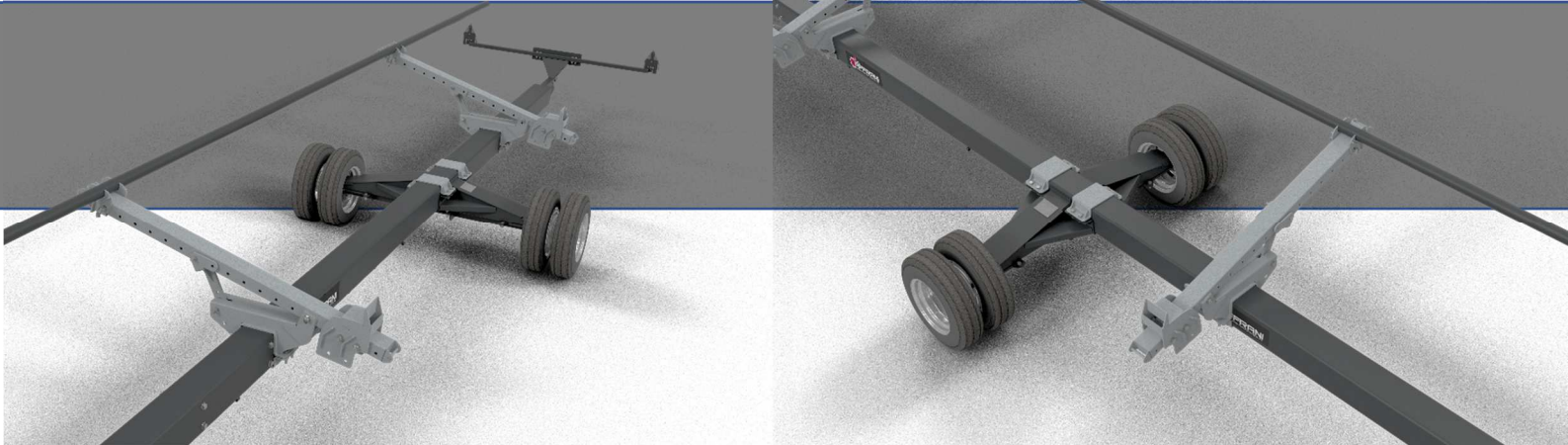


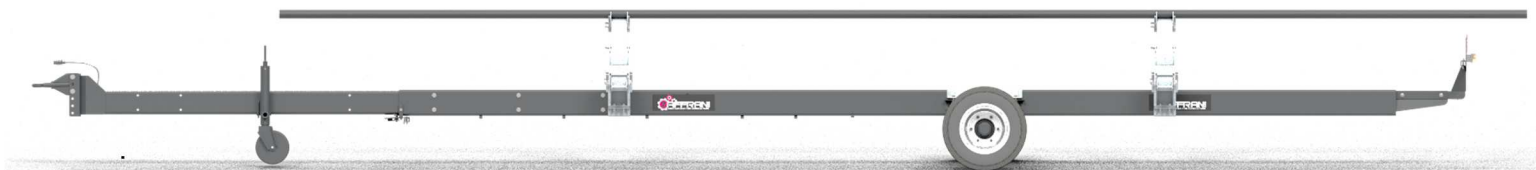


HEADER TRAILER - SINGLE AXLE WITH DUAL WHEELS



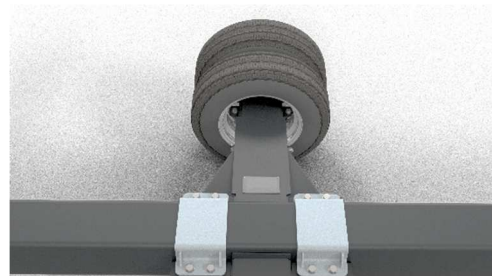
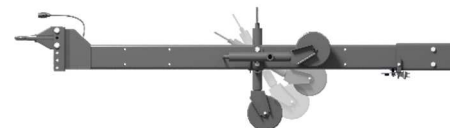


The header trailer with single axle and dual wheels guarantees excellent stability as it's able to reduce the asperity of the ground and allows a completely safe transfer of the headers.



TECHNICAL FEATURES

Length	Min. 9.730 mm	Max. 12.030 mm
Wheels	6,50 – 10" x 4	
Max speed	25 Km / h	
Carrying capacity	4.500 Kg	
Machines supports	BG600 – BG670 – BG740 – BG940	
	TM670 – TM675 – TM87 – TM875	
	PU 300 – PU 400 – PU 500	



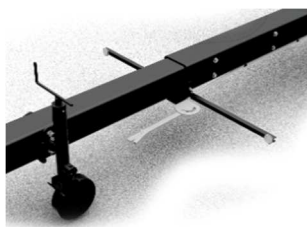
Accessories for your header trailer:



Toolbox



Parking wedges



Parking brake

3 types of towing eye



HIGH- FIXED – SLEWING